

Part Number: RMK-203

Contents: (2) rack mount brackets, (1) rack mount spacer, and (4) side panel screws.

Installation:

1. Remove the 4 screws from the UDP-203's left and right panels. Save the screws for Step 3.
2. Position one bracket to the right side of the player by aligning its top to the top of the player, as shown in Figure 1. Secure the bracket to the player using the side panel screws supplied with the rack mount kit (Do not use the side panel screws removed from the player because those are short). Install the other bracket to the left side similarly.
3. Position the rack mount spacer under the front panel of the player, as shown in Figure 2. Use two screws saved from Step 1 to secure the spacer at each end to the left and right brackets.
4. The completed unit should look like Figure 3. It is ready to be mounted using the screws that came with your equipment rack.

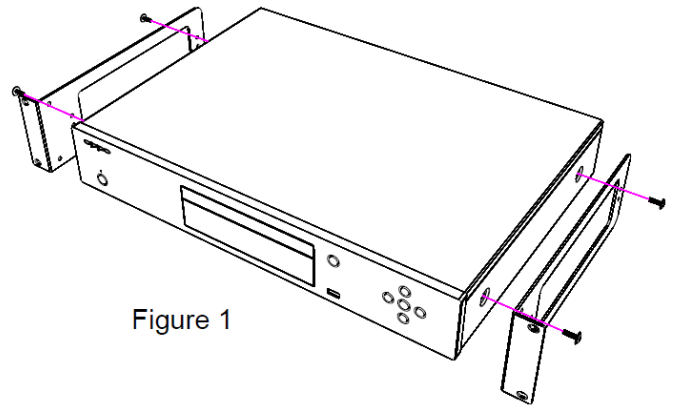


Figure 1

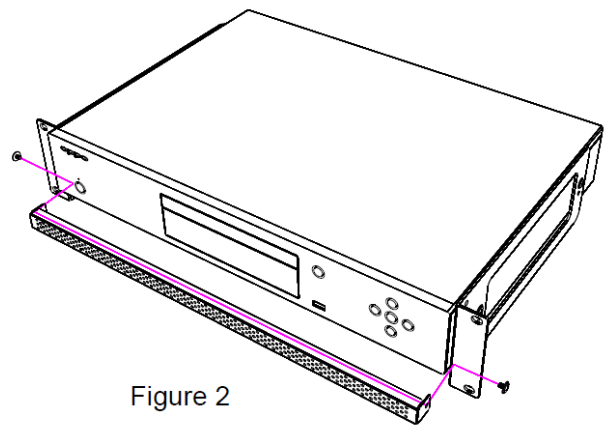


Figure 2

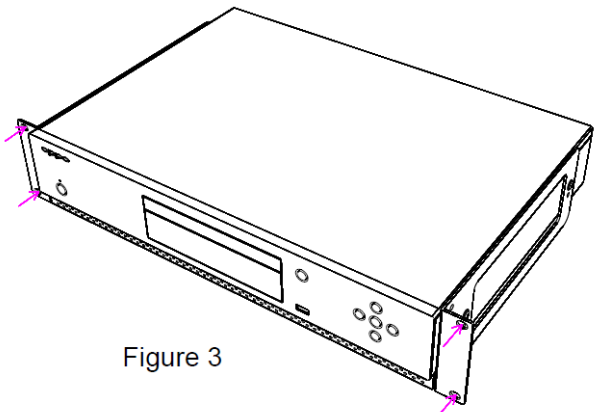


Figure 3

Caution:

The player needs to fit into a 2U rack space. It is recommended to leave a black or ventilated 1U space below and above the player to allow for better cooling. The player should be installed directly above a heat-generating device such as a power amplifier or A/V receiver.

Please also check the rack manufacturer's instructions and allow for enough ventilation (Bottom, Top and Sides)