

**Part Number:** RMK-95

**Contents:** (2) Rack mount brackets and (4) side panel screws.

**Installation:**

1. Flip the BDP-95EU upside-down on a non-scratch surface and remove the 4 screws from its left and right panels, as shown in Figure (1). If the player needs to fit into a 2U rack space, remove its 4 feet by taking out the screw from the bottom of each foot. Save the screws and feet in case you need to restore the player to its standalone configuration.

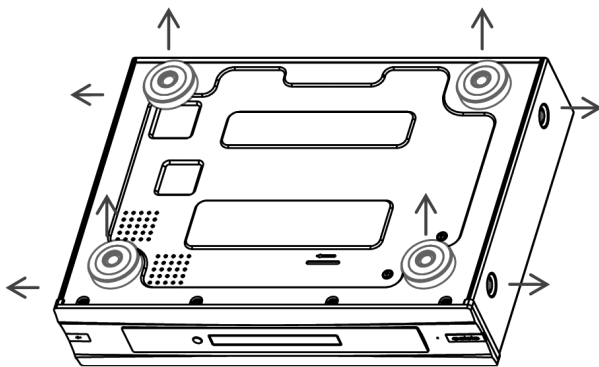


Figure 1

2. Flip the player back. Position the Right bracket (marked with "R") to the right side of the player, as shown in the Figure (2). Secure the bracket to the player using the side panel screws supplied with the rack mount kit. **Do not use the side panel screws removed from the player** because those are too short. Install the Left bracket similarly.

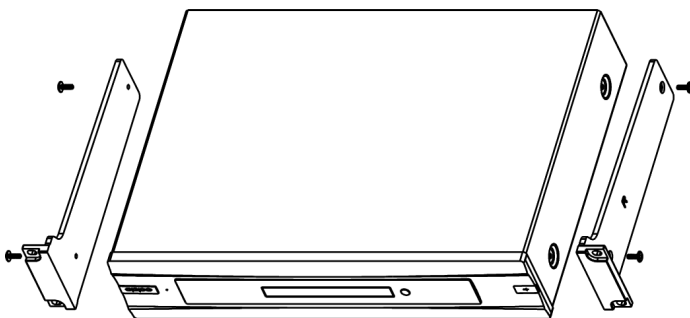


Figure 2

3. The completed unit should look like Figure (3). It is ready to be mounted using the screws that came with your equipment rack.

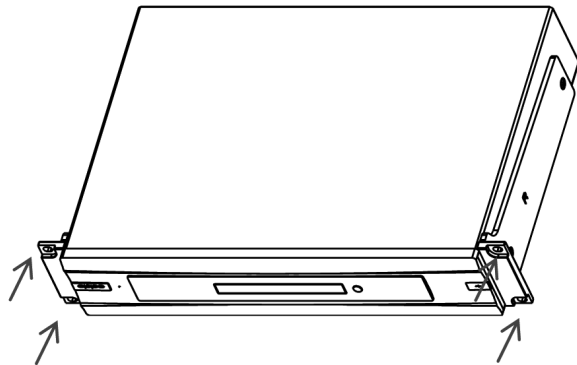


Figure 3

**Caution:**

The above player should not be installed directly above a heat-generating device such as a power amplifier or A/V receiver. Although not required, it is recommended that you leave a black or ventilated 1U space below the player to allow for better cooling. Please also check the rack manufacturer's instructions and allow for enough ventilation (Bottom, Top and Sides).

OPPO Digital UK Ltd  
 Unit 42 Hellesdon Park Road  
 Norwich, Norfolk  
 NR6 5DR  
 United Kingdom

Tel: +44 0345 060 9395  
 or +44 1603 402240